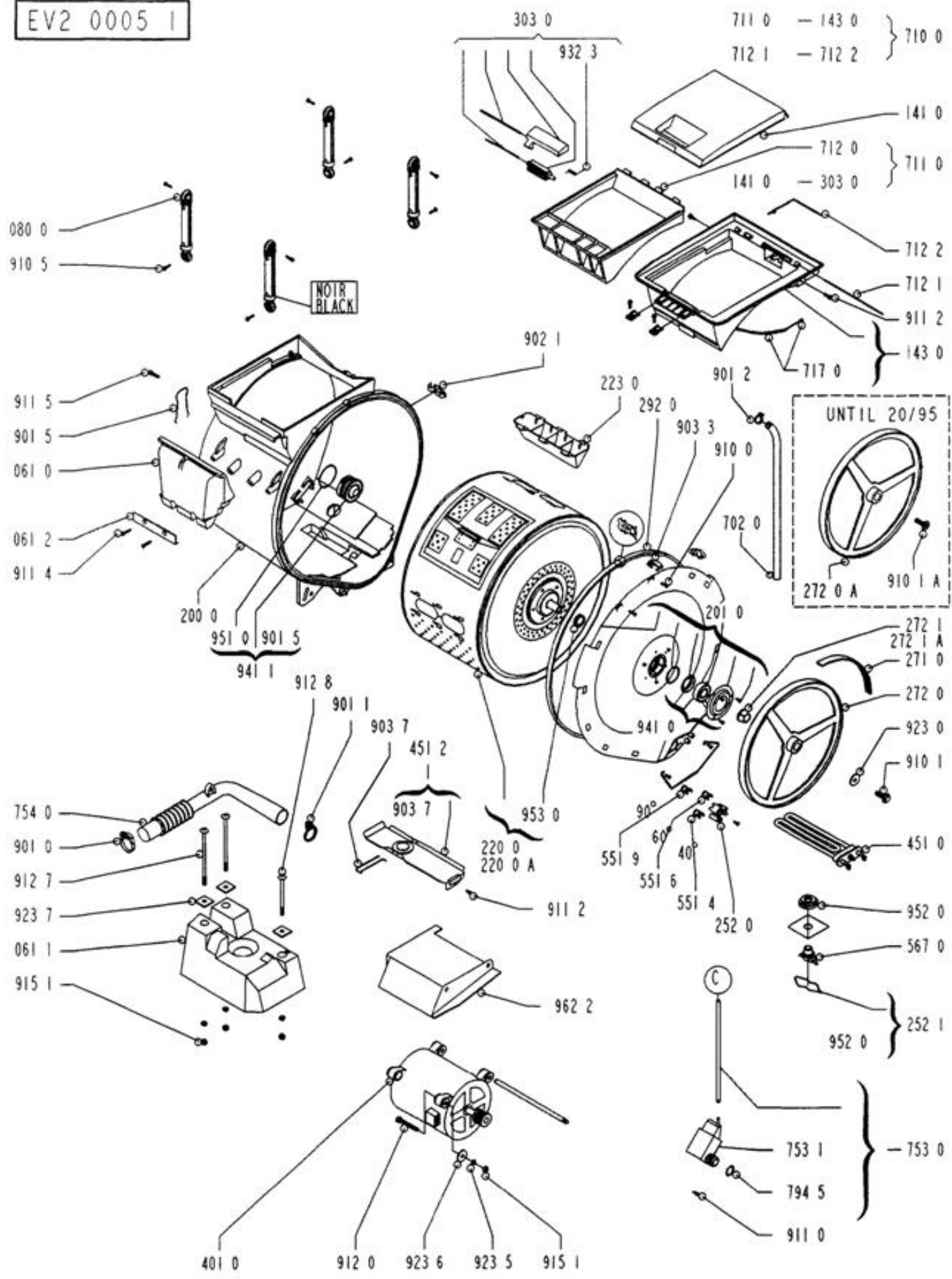


EV2 0005 1



Technical data**Dimension**

Height	88,0	cm
Width	40,0	cm
Depth	60,0	cm

Weight

Net weight	approx. 65kg
With package	approx. 69kg

General specifications

Voltage	230 0% V
Frequency	50 Hz
Connected load	approx. 2,2kW
Fuse	10 A

Drum data**Drum speed**

Washing	55	rpm
Spinning	500	rpm

Capacity

Volume	43	l
Max. load	4,5	kg

Electrical building parts**Heating**

Type	Tubular radiator
Rated power draft	1,85 kW
Mains Voltage	230 V

Drain pump

Power consumption	approx. 40	W
Capacity	11,5	l/min
Rotation speed	approx. 3000	rpm
Height of drain hose	max. 1,00	m
	min. 0,55	m

Motor

2/16

Capacitor

16 F

Timer

Type	SIBEL CM 1506
The Timer chart includes	1 basic programme

Thermostat

A - a fixed thermostat	30	°C
B - a fixed thermostat	60	°C
C - a fixed thermostat	90	°C
D - a temperature limiter	107	°C

Pressostat (without laundry)

Low level	9	l
High level	approx. 22	l

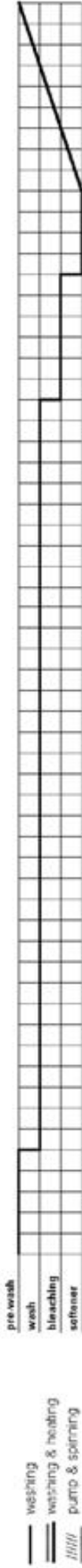
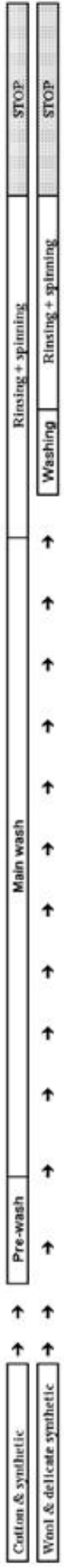
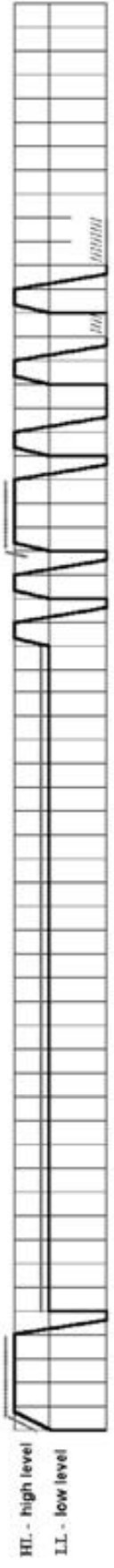
Rotary switch

On/Off switch & spinning option	3 pol
Temperature switch	7 pol

Push button switch

half load switch	1 pol
------------------	-------

PROGRAM DIAGRAM - TIMER SIBEL CM 1506



Time	Activity	Time	Activity	Time	Activity	Time	Activity
1	LL + 3 min	1	PUMP - WASH	1	LL + 3 min	1	PUMP - SPINNING
2	3 min	2	PUMP - WASH	2	3 min	2	PUMP - SPINNING
3	3 min	3	PUMP - WASH	3	3 min	3	PUMP - SPINNING
4	3 min	4	PUMP - WASH	4	3 min	4	PUMP - SPINNING
5	3 min	5	PUMP - WASH	5	3 min	5	PUMP - SPINNING
6	LL + 3 min	6	PUMP - WASH	6	LL + 3 min	6	PUMP - SPINNING
7	3 min	7	PUMP - WASH	7	3 min	7	PUMP - SPINNING
8	3 min	8	PUMP - WASH	8	3 min	8	PUMP - SPINNING
9	3 min	9	PUMP - WASH	9	3 min	9	PUMP - SPINNING
10	3 min	10	PUMP - WASH	10	3 min	10	PUMP - SPINNING
11	3 min	11	PUMP - WASH	11	3 min	11	PUMP - SPINNING
12	3 min	12	PUMP - WASH	12	3 min	12	PUMP - SPINNING
13	3 min	13	PUMP - WASH	13	3 min	13	PUMP - SPINNING
14	3 min	14	PUMP - WASH	14	3 min	14	PUMP - SPINNING
15	3 min	15	PUMP - WASH	15	3 min	15	PUMP - SPINNING
16	3 min	16	PUMP - WASH	16	3 min	16	PUMP - SPINNING
17	3 min	17	PUMP - WASH	17	3 min	17	PUMP - SPINNING
18	3 min	18	PUMP - WASH	18	3 min	18	PUMP - SPINNING
19	3 min	19	PUMP - WASH	19	3 min	19	PUMP - SPINNING
20	3 min	20	PUMP - WASH	20	3 min	20	PUMP - SPINNING
21	3 min	21	PUMP - WASH	21	3 min	21	PUMP - SPINNING
22	3 min	22	PUMP - WASH	22	3 min	22	PUMP - SPINNING
23	3 min	23	PUMP - WASH	23	3 min	23	PUMP - SPINNING
24	3 min	24	PUMP - WASH	24	3 min	24	PUMP - SPINNING
25	3 min	25	PUMP - WASH	25	3 min	25	PUMP - SPINNING
26	3 min	26	PUMP - WASH	26	3 min	26	PUMP - SPINNING
27	3 min	27	PUMP - WASH	27	3 min	27	PUMP - SPINNING
28	3 min	28	PUMP - WASH	28	3 min	28	PUMP - SPINNING
29	3 min	29	PUMP - WASH	29	3 min	29	PUMP - SPINNING
30	3 min	30	PUMP - WASH	30	3 min	30	PUMP - SPINNING
31	3 min	31	PUMP - WASH	31	3 min	31	PUMP - SPINNING
32	3 min	32	PUMP - WASH	32	3 min	32	PUMP - SPINNING
33	3 min	33	PUMP - WASH	33	3 min	33	PUMP - SPINNING
34	3 min	34	PUMP - WASH	34	3 min	34	PUMP - SPINNING
35	3 min	35	PUMP - WASH	35	3 min	35	PUMP - SPINNING
36	LL + 3 min	36	PUMP - WASH	36	LL + 3 min	36	PUMP - SPINNING
37	3 min	37	PUMP - WASH	37	3 min	37	PUMP - SPINNING
38	3 min	38	PUMP - WASH	38	3 min	38	PUMP - SPINNING
39	3 min	39	PUMP - WASH	39	3 min	39	PUMP - SPINNING
40	3 min	40	PUMP - WASH	40	3 min	40	PUMP - SPINNING
41	3 min	41	PUMP - WASH	41	3 min	41	PUMP - SPINNING
42	LL + 3 min	42	PUMP - WASH	42	LL + 3 min	42	PUMP - SPINNING
43	3 min	43	PUMP - WASH	43	3 min	43	PUMP - SPINNING
44	3 min	44	PUMP - WASH	44	3 min	44	PUMP - SPINNING
45	3 min	45	PUMP - WASH	45	3 min	45	PUMP - SPINNING
46	LL + 3 min	46	PUMP - WASH	46	LL + 3 min	46	PUMP - SPINNING
47	3 min	47	PUMP - WASH	47	3 min	47	PUMP - SPINNING
48	3 min	48	PUMP - WASH	48	3 min	48	PUMP - SPINNING
49	3 min	49	PUMP - WASH	49	3 min	49	PUMP - SPINNING
50	3 min	50	PUMP - WASH	50	3 min	50	PUMP - SPINNING
51	3 min	51	PUMP - WASH	51	3 min	51	PUMP - SPINNING
52	3 min	52	PUMP - WASH	52	3 min	52	PUMP - SPINNING
53	3 min	53	PUMP - WASH	53	3 min	53	PUMP - SPINNING
54	3 min	54	PUMP - WASH	54	3 min	54	PUMP - SPINNING
55	3 min	55	PUMP - WASH	55	3 min	55	PUMP - SPINNING
56	3 min	56	PUMP - WASH	56	3 min	56	PUMP - SPINNING
57	3 min	57	PUMP - WASH	57	3 min	57	PUMP - SPINNING
58	3 min	58	PUMP - WASH	58	3 min	58	PUMP - SPINNING
59	3 min	59	PUMP - WASH	59	3 min	59	PUMP - SPINNING
60	3 min	60	PUMP - WASH	60	3 min	60	PUMP - SPINNING

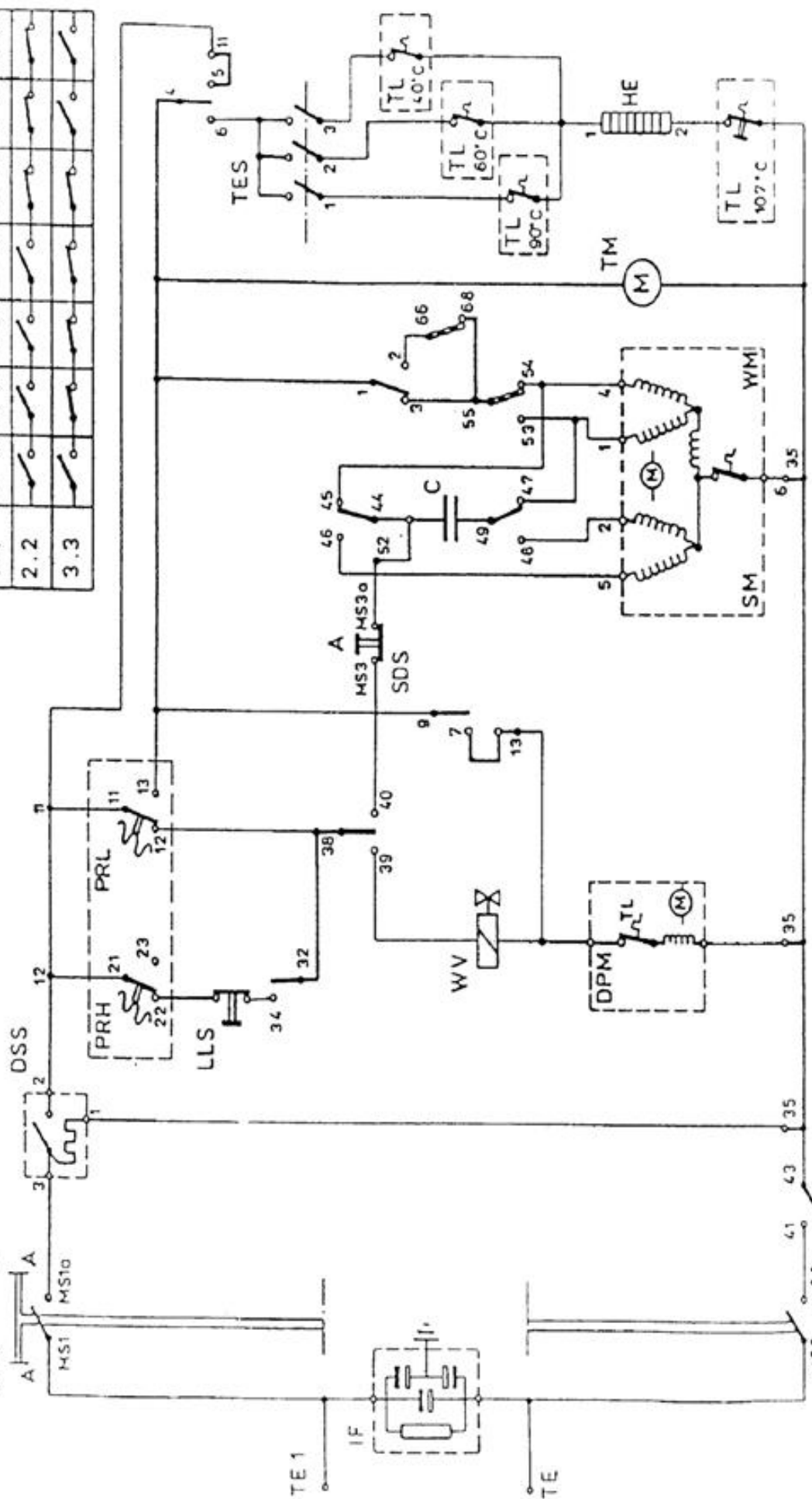
Activity	Start	End
3 SPINNING	38	40
2 FILLING - HIGH LEVEL	32	34
4 DRAINING PUMP	9	7
3 FILLING - LOW LEVEL	38	39
7 NORMAL RHYTHM	1	3
SLOW RHYTHM	1	2
9 TIMER DIRECT HEATING	4	5
5 CAPACITOR - WASHING	52	45
5 CAPACITOR SPINNING	44	46
5 CAPACITOR - WASHING	49	47
CAPACITOR SPINNING	49	48
1 MAIN CONTACT	43	41

Activity	Start	End
SLOW RHYTHM 3'43", 3'12"	66	68
INVERS - NORMAL RHYTHM 2'5"/2'5" (LEFT)	55	54
2'5"/2'5" (RIGHT) INVERS - NORMAL RHYTHM	55	53

Circuit diagram

1.1									
2.2									
3.3									

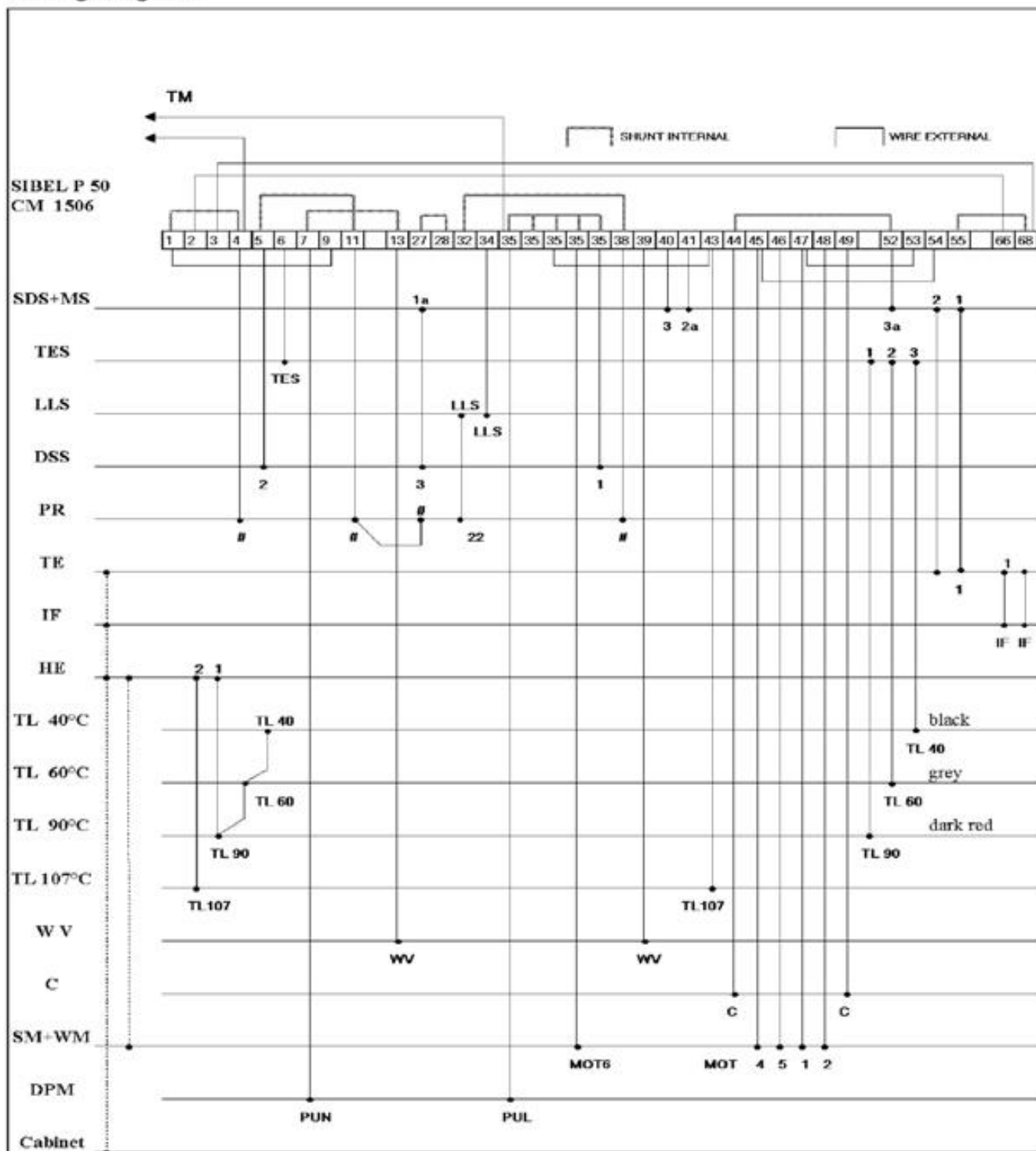
**TIMER SIBEL
 CM 1506**



Techn. model 460 N / 560 N

4211 012 9391 1

Wiring diagram



4211 012 9388 1

- C Capacitor
- DPM Draining pump motor
- DSS Door safety switch
- HE Heating element
- IF Interference capacitor
- LLS Half load switch
- MS On/off switch
- PR Pressostat
- PRH Pressostat high level
- PRL Pressostat low level
- SDS Spin drying switch
- SM Spin drying motor
- TE Inlet terminal
- TES Temperature selector
- TL Temperature limiter
- TM Timer motor
- WV Water inlet valve
- WM Washing motor

460 N / 560 N